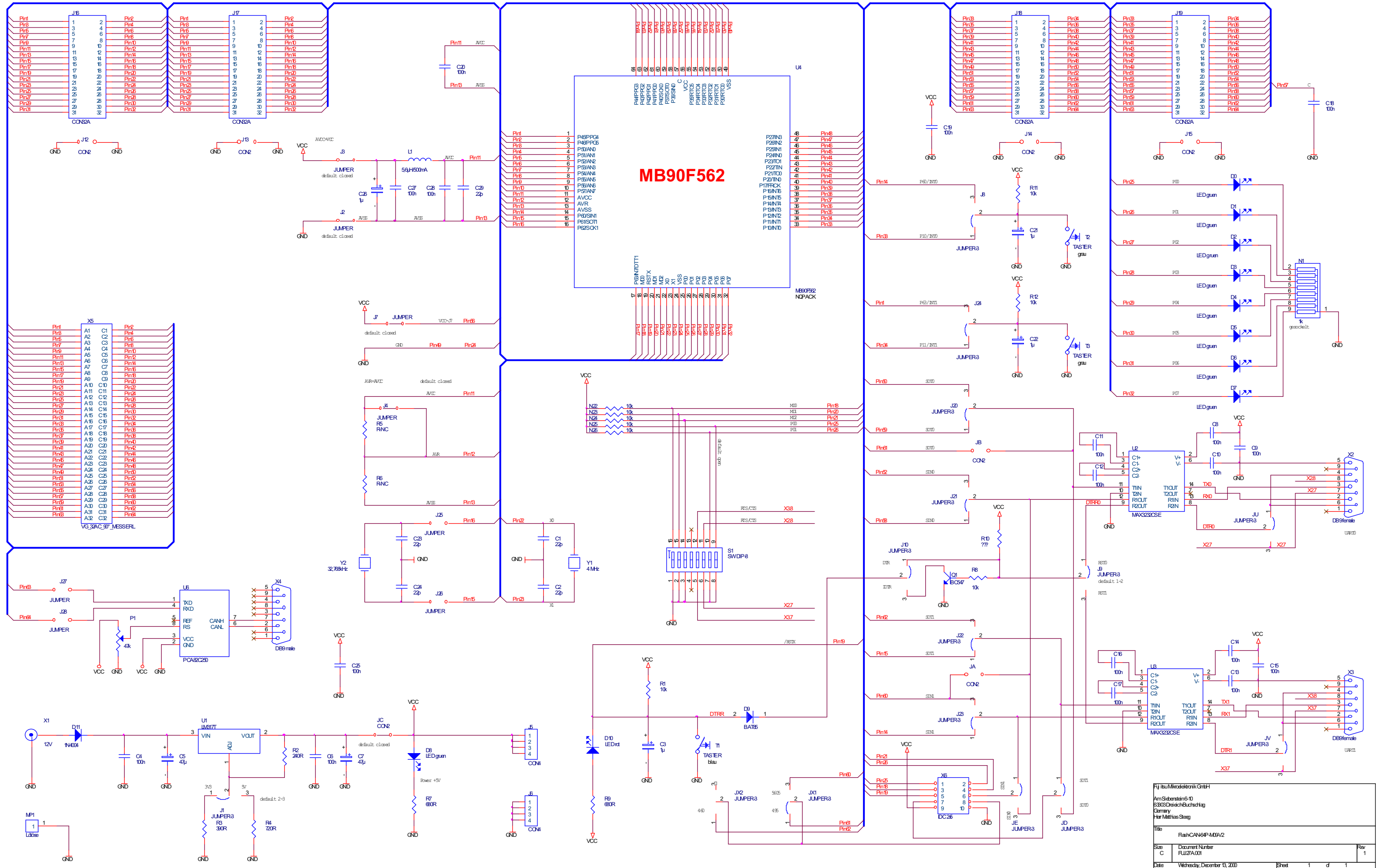


3.2 Schematics of Flash-CAN-64P-M09-V2 evaluation board (Pinning of MB90F562)



Fjitsu Mikroelektronik GmbH		
Am Seibenstein 6-10		
53333 Dreieich/Buchschlag		
Germany		
Herbert Has Stieg		
Title		
Flash-CAN-64P-M09-V2		
Scale	Document Number	Rev
C	FUJ2/A.001	1
Date	Wednesday, December 13, 2000	Sheet 1 of 1